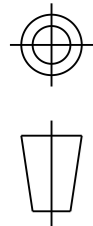


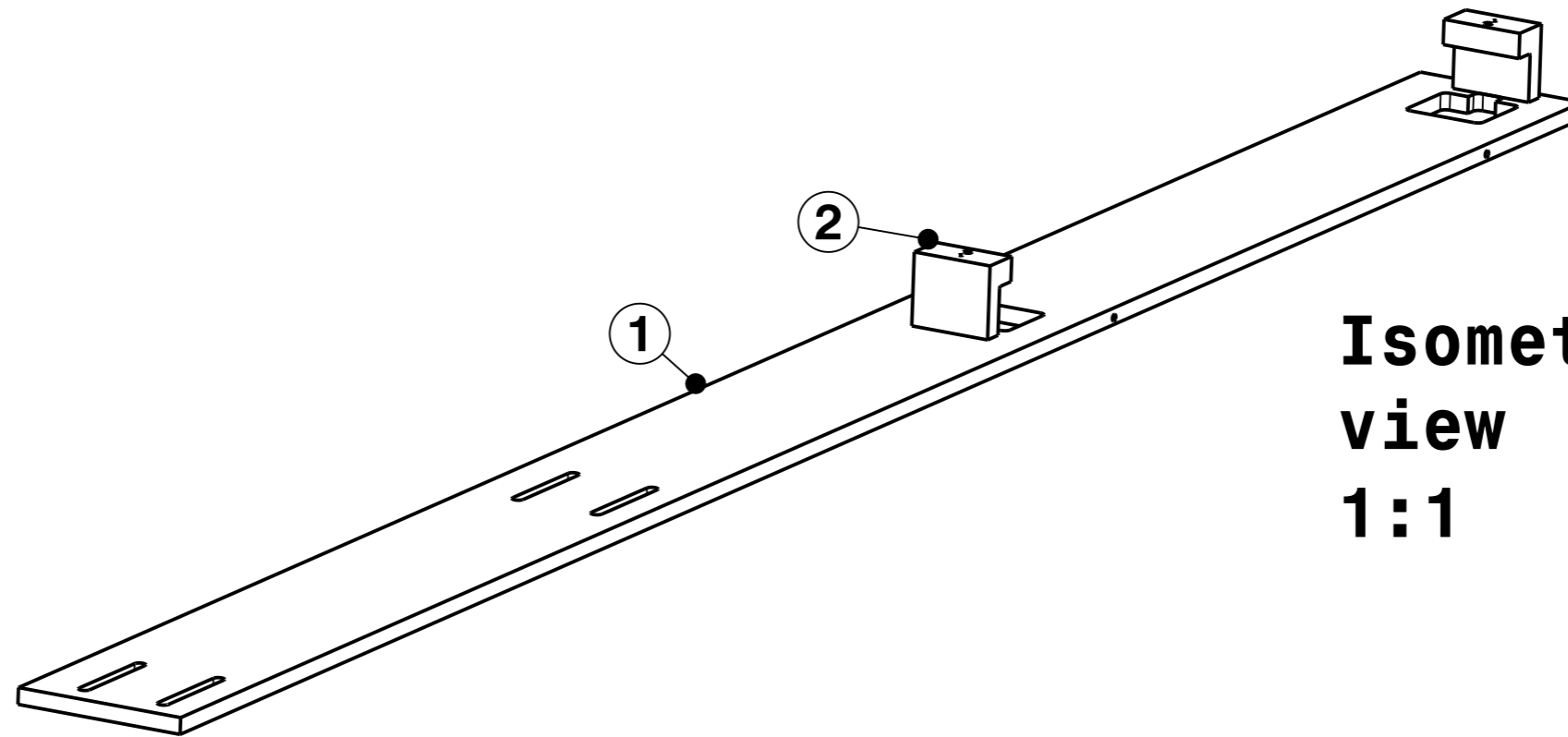
DESSIN, RUGOSITE, TOLERANCES
SELON NORMES ISO
DRAWING, RUGOSITY, TOLERANCES
ACCORDING TO ISO STANDARDS



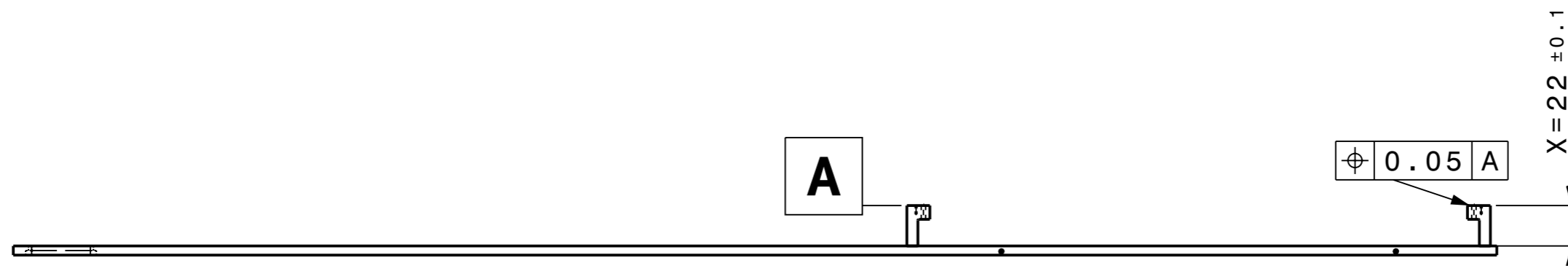
PROJECTION

ORGANISATION EUROPEENNE POUR
LA RECHERCHE NUCLEAIRE
EUROPEAN ORGANIZATION FOR NUCLEAR RESEARCH
GENEVE

Ce dessin ne peut être utilisé à des fins commerciales sans autorisation écrite
This drawing may not be used for commercial purposes without written authorisation



**Isometric
view
1:1**



**Front view
1:3**

2	Stave support block	2				
1	Stave support base	1				
QUA	DESCRIPTION	POS	MAT.	OBSERVATIONS	REF. CERN	
ENS/ASS			S. ENS/S. ASS			
ITS detector upgrade				DRAWN	A. GALDAMES PEREZ	
Stave support assembly				SCALE	2017-06-23	
				1:1	CONTROLLED	
					RELEASED	
					APPROVED	
				CAD Document Number ST0858267_02		
				REPLACES		
NON VALABLE POUR EXECUTION NOT VALID FOR EXECUTION			QAC	ALITSUP0298	SIZE IND.	
			-	3	A	

A	2017-06-26	A. Galdames Perez		Parts name modification
IND.	DATE	NOM/NAME	ZONE	MODIFICATION

7

6

5

4

3

2

1